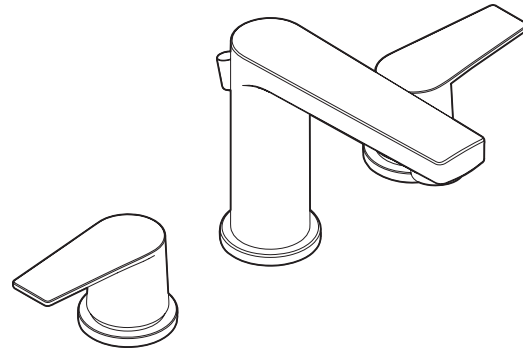


Models:  
40606

# CFG

# SLATE™



## Two Handle Widespread Lavatory With Waste

### DESCRIPTION

- Metal construction with chrome finish
- 1/2" IPS shanks
- Designed to be installed on 8" to 16" centers
- Includes 50/50 pop-up waste assembly
- Six (6) individual boxes per master carton

### OPERATION

- Lever-style handle
- Hot side: Turn counterclockwise to open (clockwise to close)
- Cold side: Turn clockwise to open (counterclockwise to close)
- Will operate with less than 5 lbs. of torque
- No grasping motion required to operate the faucet handle
- Features red/blue hot/cold temperature indicators

### FLOW

- Water usage is limited to these maximum flow rates as indicated by the corresponding product markings  
 ° 1.2 gpm max (4.5L/min) at 60 psi

### CARTRIDGE

- Ceramic disc technology
- Non-metallic, non-ferrous, and brass materials
- Single body construction for easy replacement

### STANDARDS

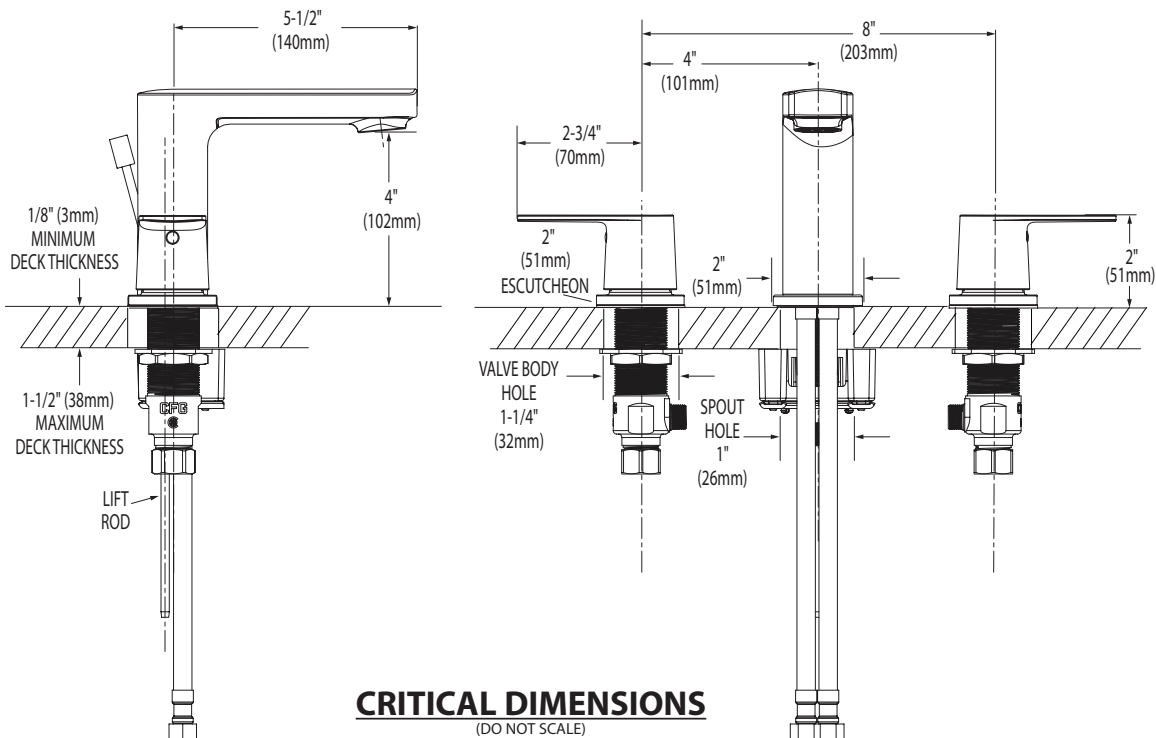
- Third party certified to WaterSense®, ASME A112.18.1/ CSA B-125.1, and all applicable requirements referenced therein including NSF 61/9 & 372
- Complies with California Proposition 65 and with the Federal Safe Drinking Water Act
- Products marked with 1.2 gpm are compliant with California water efficiency regulations
- **ADA** for lever handle

### WARRANTY – RESIDENTIAL, COMMERCIAL

- Ten year limited warranty against defects in materials and manufacturing workmanship
- Refer to the installation instructions enclosed with each CFG product or call 1-888-450-5522 for complete warranty information

### NOTE:

- The spout is designed to be installed through 1" (26 mm) minimum diameter hole, valve body installs through 1-1/4" (32 mm) diameter holes
- Maximum deck thickness: 1-1/2" (38 mm)



### CRITICAL DIMENSIONS (DO NOT SCALE)

CLEVELAND FAUCET GROUP • 25300 AL MOEN DRIVE • NORTH OLMSTED, OHIO 44070 • (888) 450-5522 • www.cfgonline.com